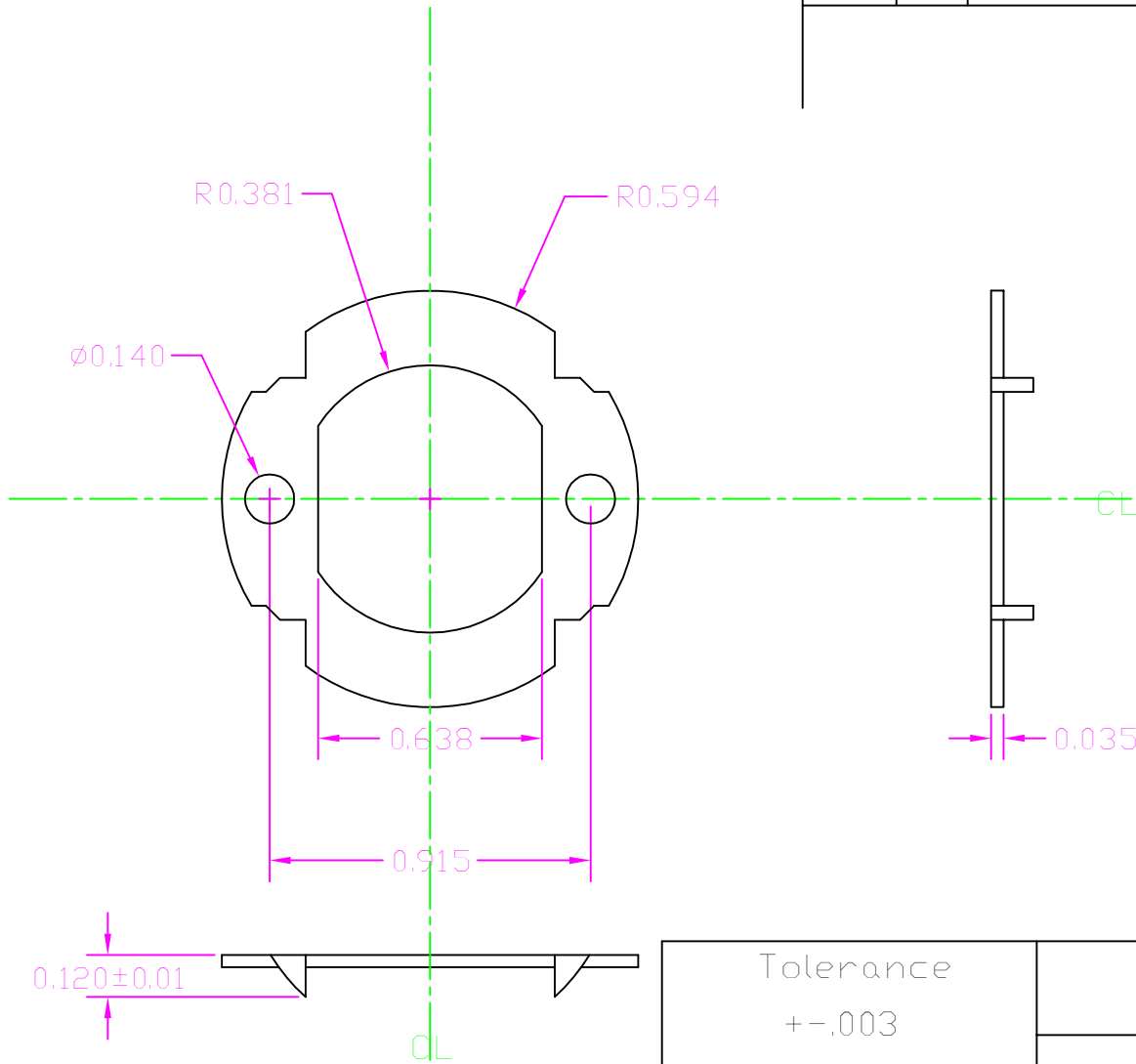


REVISIONS				
ZONE	REV	DESCRIPTION	DATE	APPROVED



Tolerance  
 $\pm .003$

Exact Tool Company, Inc.  
 2123 Foster Ave., Wheeling, IL 60090  
 847-632-1140 www.exacttool.com

4 Prong Spur Washer

Material: .035 CRCQ  
 Finish: Commercial Zinc Bright  
 & Clear Chromate

SIZE	FSCM NO.	DWG NO.	REV
		4-PRG-SPR-WSHR	A
SCALE	May 1, 2000	SHEET	1 OF 1