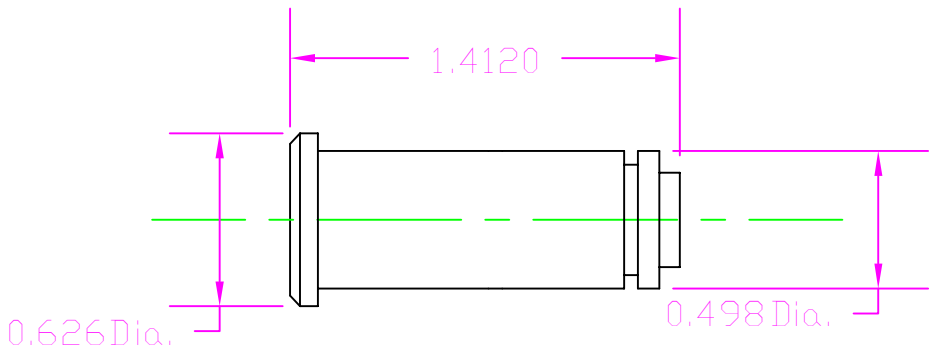
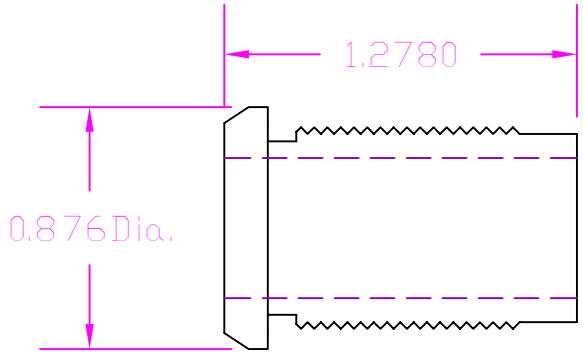


REVISIONS				
ZONE	REV	DESCRIPTION	DATE	APPROVED



Tolerances	Exact Tool Company, Inc. 2123 Foster Ave., Wheeling, IL 60090 847-632-1140 www.exacttool.com			
	1-1/8 Plug Internal Thread & Shell			
Material ZAMAK 3	SIZE	FSCM NO.	DWG NO. BA01-1.125-XX-XXX-00 & PL01-1.125-IN-00	REV
	SCALE		SHEET	