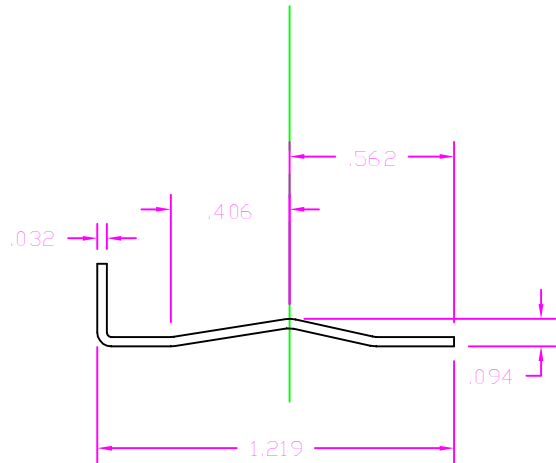
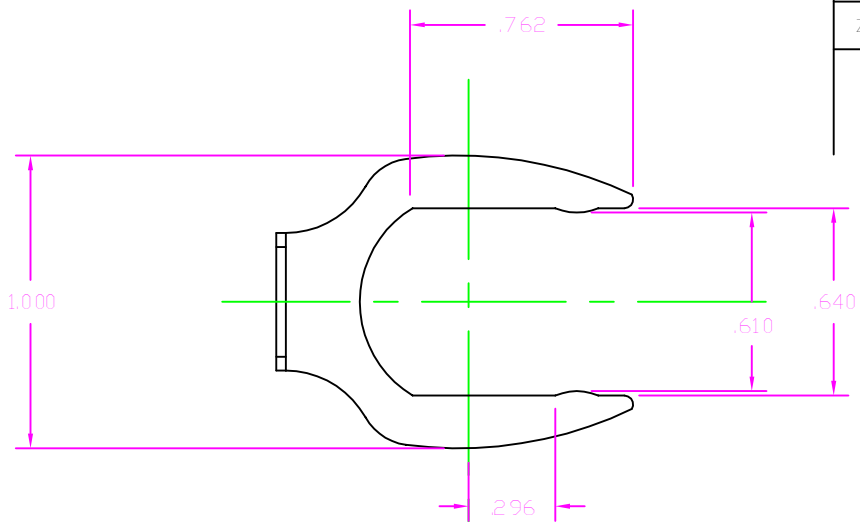




REVISIONS

ZONE	REV	DESCRIPTION	DATE	APPROVED
------	-----	-------------	------	----------



Tolerances

Exact Tool Company, Inc.

Material

Spring Clip

.032 x 1.560 1050 Annld

SIZE	FSCM NO.	DWG NO.	REV
		CL1	

7/28/06

SCALE	SHEET 1 of 1
-------	--------------

