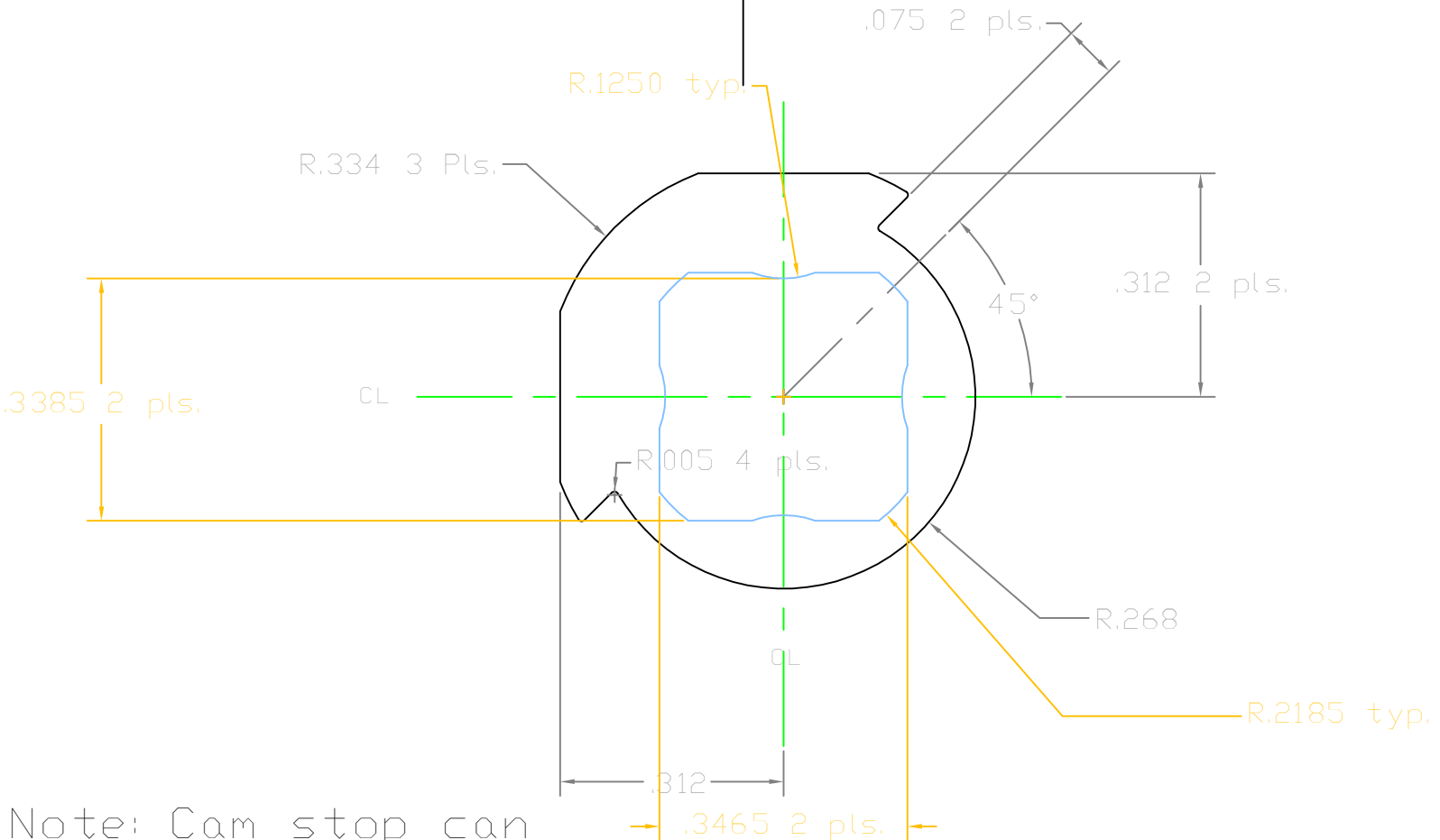


| REVISIONS | | | | |
|-----------|-----|-------------|------|----------|
| ZONE | REV | DESCRIPTION | DATE | APPROVED |



Note: Cam stop can be made in various thicknesses. Press fit (As shown) or slip fit.

| | | | | |
|------------------------|----------|--|--------------|--|
| Tolerances | | Exact Tool Company, Inc. 2123 Foster Ave., Wheeling, IL 60090 | | |
| Material CRCQ Steel | | Cam Stop 180 degree | | |
| SIZE | FSCM NO. | DWG. NO. | REV | |
| | | CS-11-PF-180 | | |
| 7/28/06 | | SCALE | SHEET 1 of 1 | |